



CB200W

4 Zone Water Leak Detection Panel



CB200W

CB200W
Water Leak Detection

Overview

The CB200W panel makes use of the Hydrosense Hydrowire and Hydrosense Point Detector. The Hydrowire is best suited to areas such as floors, concealed floors, ducts and suspended ceilings. It is a flexible 4 core cable that is highly sensitive to water and available in 5M or 10M lengths (extendable in a daisy chain fashion up to 50M max.). The Hydrowire is connected via an interface control box which signals back to the panel when water presence is detected. An end of line plug is required to be installed at the end of the cable run allowing the panel to monitor for open/short circuit conditions. One interface control box can connect to one panel zone therefore one run of cable is allowed per zone.

The point detector probe is suited to areas of localised detection such as storage areas, lift shafts etc. Multiple (up to 20) detectors can connect to a zone with use of junction boxes. Each point detector has a green activation LED for easier location of the leak.

Technical Features

Detection	4 Zones with 22uF Capacitor EOL monitoring 470/680 ohm resistor activation for zones Zone 1 non latch function	Indications	Leak Zone, Zone Fault/Isolated, Controls Active, System Healthy, Alarm Fault, Processor Fault, Battery Fault, Earth Fault, One Man Test, Repeater Fault
Sounder O/P	4 x fully monitored sounder (bell/alarm) circuits	Panel Functions	One man zone test mode, zone disablement Alarm/sounder test, mains/24v dc repeater optional
Inputs	1 x remote sounder activate input - short to operate	Power Supply	Fault monitored 230Vac 50/60Hz with built in fault monitored backup battery charger for set of 2.1Ah Lead acid batteries
Outputs	2 x system activated volt free relays, 1 x fault volt free relay contacts	Physical Properties	Light grey textured polycarbonate 3 part enclosure with blue display overlay. 4mm cross point fixing bolts on covers. Top gland plate with 20mm knockouts
User Controls	Silence Buzzer/Alarms, Sounder Test, System Reset, Zone Isolate (controls activated/deactivated by code entry)		

Document CB200W_Data_0209_Rev_03



www.contrlequipment.com

Control Equipment Ltd.

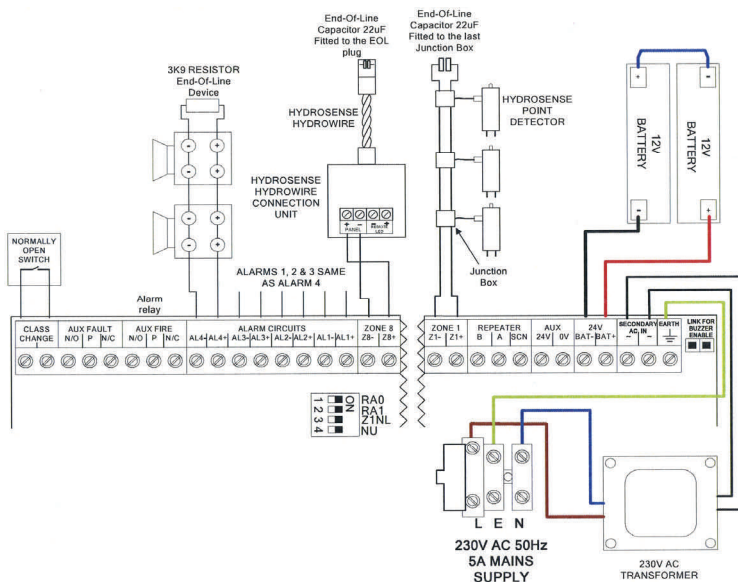
Hillcrest Business Park
Cinderbank
Dudley, West Midlands
DY2 9AP
Tel. +44 (0)1384 458651
Fax +44 (0)1384 458972
celsales@tycoint.com

Specifications

FUNCTION	CB200W	Repeater c/w PSU	DC Repeater
Mains Supply	230V ac	230V ac	24V dc
Mains Fuse	1A 20mm	1A 20mm	N/A
Battery Fuse	1.85A Thermal Type	1.85A Thermal Type	N/A
Max. Batt. Charger Output	500mA @ 27.5V dc	500mA @ 27.5V dc	N/A
Max. PSU Output	1.5A	1.5A	N/A
Sounder Circuits (24V nominal) *	4 x 500mA max *	N/A	N/A
Aux DC Output (24V nominal)	250mA max	250mA max	N/A
Max. Field Equipment Load	800mA	250mA	N/A
Mains Fail Batt. Current (no load)	35mA @ 24V dc	40mA	40mA
Repeater Panel Option	Yes	-	-
Panel Dimensions (mm W x H x D)	313 x 245 x 92	313 x 245 x 92	313 x 245 x 92
Native Panel Weight (no batteries)	2.4 Kg	2.4 Kg	1.4 Kg

* Even though the sounder outputs can handle 500mA each the maximum power available from the panel for field equipment is 800mA

Typical Wiring Diagram



Hydrosense Details

Hydrowire

Colour: Black - Sensing wire
Blue - Zone supply

Cable: 5M or 10M Sections with 4 pin DIN plug & Socket

Max Length: 50M

Point Detector

Colour: Black

Indicator: Green LED

Connection: 4 Pin DIN socket

Cable: Flying lead with 4 pin DIN plug

Max/Zone: 20 devices

Part Numbers

- 2500954 CB200W Water Leak Detection Panel
- 2500967 CB200 Repeater Panel With PSU + Charger (Specify for use with CB200W)
- 2500968 CB200 Repeater Panel 24VDC operation (Specify for use with CB200W)
- 2501310 Hydrosense Connection Box/Interface
- 2501311 Hydrowire 5 Metre Cable
- 2501312 Hydrowire 10 Metre Cable
- 2501313 Hydrowire EOL Plug
- 2501314 Hydrosense Floor Mounted Probe (Point Detector)
- 2501315 Hydrosense Junction Box For Point Detector